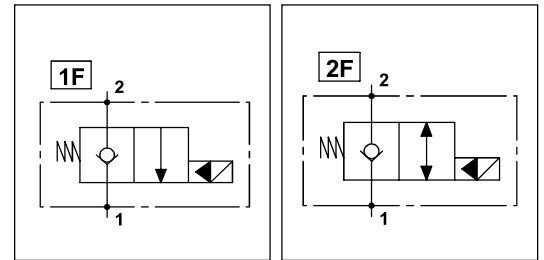
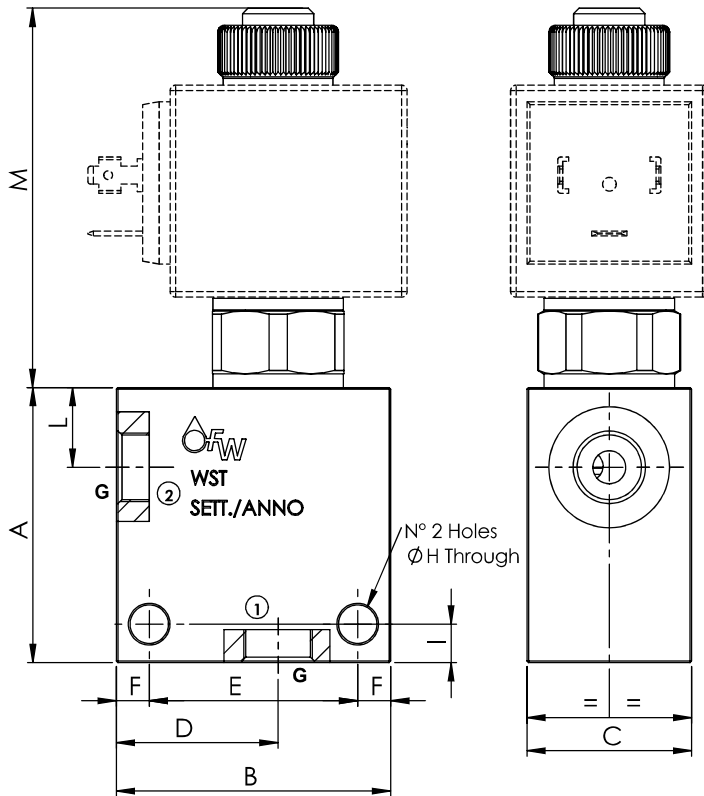


WST - NC

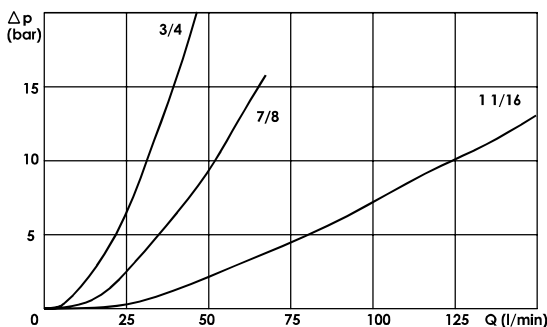
TECHNICAL DATA

- **Flow:** (See table)
- **Max working pressure:** 250 bar (350 bar)
- **Materials:** Aluminium Body (Steel body if required)
- **Version:** Poppet Type - Pilot Acting
- **Note:** Coil on the page 261



PORTS				
Size	S08	S10	S12	
G	1/4	1/2	3/4	1
	3/8			
DIMENSIONS				
A	50	56	70	80
B	50	60	70	80
C	30	35	40	50
D	30	35	40	46
E	38	48	54	60
F	6	6	8	10
H	7	7	9	8,5
I	7	7	8	8
L	14,5	18,5	26,5	26,5
M	71,2	68,8	65,8	65,8
Max Flow (l/min)	40	70	150	150

PRESSURE DROP CURVES



MANUAL OVERRIDE

Code	Type
(EMS) Screw	

ORDERING CODE:

WST		NC										
Ports Size:		Type of Scheme:		Manual Override:		Ports Size:		Material Body:		Optional Body (Only for S08):		Rated Voltage Coil:
- S08 = SAE 08/2		- Omit for scheme 1F		- Omit if not required		- 1/4 ; 3/8		- Omit if steel		- Omit if not required		- Omit if not required
- S10 = SAE 10/2		- 2F = Scheme 2F		- EMS = Screw		- 1/2		- A = Aluminium		- B		- 12
- S12 = SAE 12/2						- 3/4 ; 1				- EMS		- 24