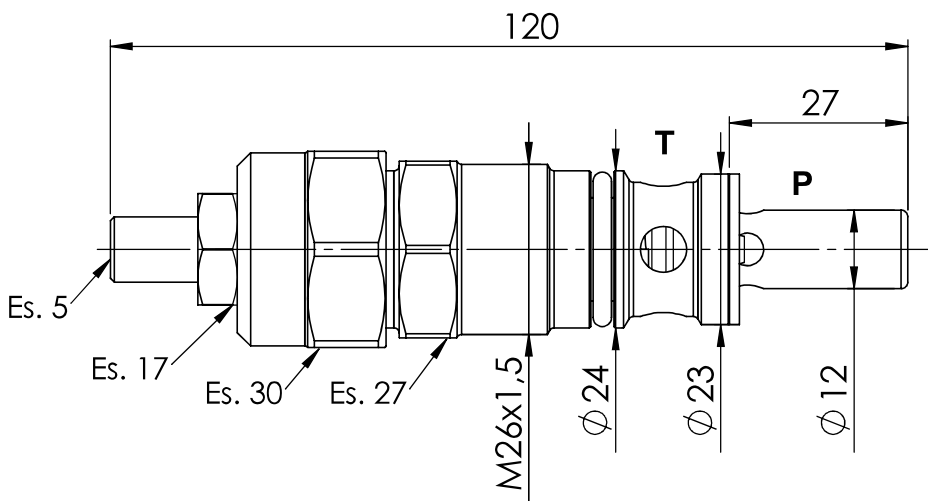
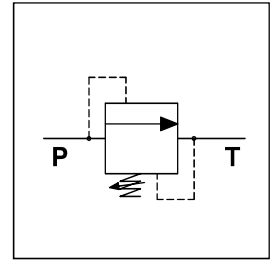


WMD 80

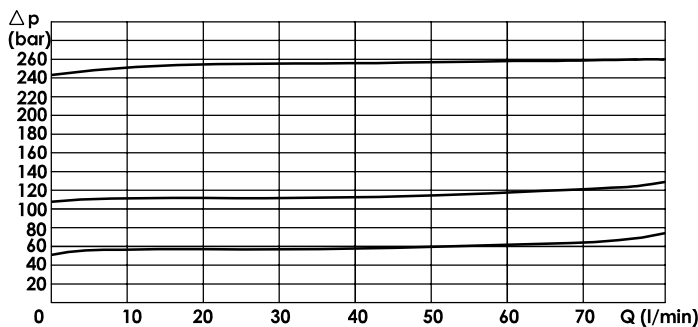
TECHNICAL DATA

- **Flow:** 80 l/min
- **Max setting pressure:** 350 bar
- **Materials:** Cartridge in Steel Zinc Plated
- **Version:** Poppet Type - Direct Acting
- **Cavity:** FW2602100
- **Installation torque:** 75-80 Nm
- **Weight:** 0,300 kg



REGULATOR	
Code	Type
(S) Screw	
(V) Handknob	

PRESSURE DROP CURVES



SPRINGS

Code	Adjustable pressure range bar	Pressure increase bar/turn	Standard setting bar
05	5-55	5	5
10	25-250	12	25
25	130-350	30	75

ORDERING CODE:

WMD

80

Type of Regulator:

- S = Screw
- V = Handknob

Springs:

- 05 - 10
- 25

Adjustment if Required:

- Omit if not required
- Value